



Expect Great Things



About us

Vinitech Metal Private Limited, established in 2019 Company mainly engaged into manufacturing of Aluminum Extrusion Products like Profiles, Sections, Solids etc, having a huge market with varied industrial as well as architectural uses.

The company has set-up an Exclusive plant with Local and imported machinery & best available technology at Village: Vadavswami, Taluka: Kalol, Dist. Gandhinagar. The plant is equipped with highly technical machinery and testing equipment's like Tensile Testing Machine, Hardness Tester H R B, Hardness Tester H R C, Spectrometer, Conductivity miter with Display, hardness tester etc,

Aluminum extrusions have many excellent properties such as low weight, good electrical & thermal conductivity, strength corrosion resistance, formability, machinability, design possibilities etc., and above all, can be recycled, therefore offering high value in numerous applications.

Product Range

Standard Section

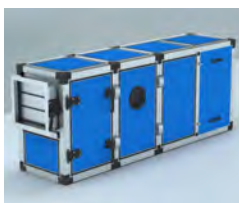
Flat bar,
hexagonal bar,
round bar,
square bar- we
have more than
100 Size

Hollow tubes
from
12.7 mm to 101 mm.
we have more than
100 size

Equal &
unequal angels.
We have more than
200 size

We also develop section to your requirements and size.

Product Applications



- Architectural & Hardware
- Air handling units, grills & diffusers
- Automotive & road transport
- Advertising
- Cryogenic
- Drawn products
- Elevators
- Heat sinks
- Luggage
- Modular racks
- Modular offices
- Pneumatic pumps & actuators
- Solar collector & frames
- Textile machines, reeds & head frames

Production Process



Quality Control

The company adheres to stringent quality norms for all the processes. The materials used by Vitech Metal are of very high quality and compatible to the latest machinery and production process.

The company's technical and commercial quality guidelines are set to high standards. A team supervises the quality assurance and control aspects along with the entire process system by identifying and associating with the quality circle. Quality control Tests are conducted regularly to maintain a uniform product quality.

Measuring Instrument

SR No.	Instrument Name	Make	Range	Utility
1	Universal Testing Machines	Fine Spavy Associates & Engineers Pvt. Ltd.	0-400 KN	To Test the Tensile strength
2	Hardness Tester H R B	Fine Spavy Associates	22-1411 BHM	To Test the Brinell Hardness
3	Hardness Tester H R C	Metatest Instruments Pvt.Ltd.	0-100 HRC	To Test the Rockwell Hardness
4	Spectromiter	VAS Spectromiter		To Test the Chemical analysis of aluminium & it's Alloy"
5	Webster	1, USA Make 2, India Make	0 - 20	To Test the Hardness of thin profiles.
6	Conductivity miter with Display	Technofour	10% TO 102% I.A.C.S	To Test Electrical Conductivity
7	Micro Miter	Insize	0 TO 25 MICRON	To Test Coating thickness of powder Coating and Anodizing Profile
8	Vernier Miter	Insize	0 TO 150 MM 0 TO 300 MM 0 TO 600 MM	To Test OD & ID of Profile

Alloys Specification

Mechanical Properties

Alloy Designation			Chemical composition						Temper Condition		Ultimate Tensile Strength kgf/mm ² (min.)	% Elongation on 50 mm Gauge (min.)
Old	Indian	U.S.	Silicon (si)	Magnesium (mg)	Copper (cu)	Magnesium (Mn)	Iron (Fe)	Aluminum (Al)	Old	New		
EIC	19000	1100	0.0-0.40	0.0-0.0	0.0-0.0	0.0-0.0	0.0-0.30	99.00%	M	F	6.7	16
EIB	19500	1050	0.0-0.25	0.0-0.0	0.0-0.0	0.0-0.0	0.0-0.25	99.40%	M	F	6.6	16
EIB	19600	1060	0.0-0.30	0.0-0.0	0.0-0.0	0.0-0.0	0.0-0.35	99.60%	M	F	6.5	20
EIB	19700	1070	0.0-0.20	0.0-0.0	0.0-0.0	0.0-0.0	0.0-0.20	99.70%	M	F	6.4	24
HE-15	24345	2014	0.5-1.20	0.20-0.80	3.80-5.00	0.30-1.20	0.0-0.60	Remainder	WP	8	32.5	8.5
-	52000	5052	0.0-0.60	1.7-2.60	0.0-0.10	0.0-0.50	0.00-0.60	Remainder	WP	10	38.5	7
HE-20	65032	6061	0.40-0.80	0.80-1.20	0.15-0.20	0.00-0.15	0.0-0.70	Remainder	W	T4	18.5	14.5
									WP	T6	29.5	7.5
HE-9	63400	6063	0.30-0.70	0.40-0.90	0.0-0.10	0.00-0.30	0.0-0.50	Remainder	W	T4	14	14
									P	T5	16	6.5
									WP	T6	19	6.5
HE-91E	63401	6101	0.30-0.50	0.40-0.70	0.0-0.0	0.00-0.00	0.0-0.40	Remainder	W	T4	14.5	12
									WP	T6	20.5	10
-	64430	6351	0.60-1.30	0.40-1.20	0.0-0.10	0.40-1.00	0.0-0.40	Remainder	WP	T4	19.5	14.5
									WP	T6	33.5	7.5

Physical Properties Of Aluminium

1	Specific Gravity	-2.70
2	Modulus of Elasticity	-7x10 ⁵ kg/cm ²
3	Electrical Conductivity	-53 to 62% LACS
4	Thermal Conductivity (at 200 c)	-0.53 cal/sq.cm/sec./cm ^{°c}
5	Co-efficient of linear expansion	-22x10 ⁶ mm/mm/ ^{°c}
6	Electrical Resistivity (at 200c)	-2.850 micron-ohm (for EC-0)

Value Addition

Anodizing

Anodizing is the electrochemical process provides additional protection aside from the natural oxide film. A durable, porous anodic oxide layer is formed on the surface of the aluminum. Anodized aluminum will also accept vibrant colors. We can anodize any kind of aluminum product. This Coating is desirable due to following properties:

- Increased corrosion resistance
- Increased durability / wear resistance
- Ability to be colored through dyeing
- Electrical insulation
- Excellent base or primer for secondary coating

We are the best to provide the best quality product

Glossy / melt finish

Up to 25 Microns thickness

Up to 6 meter length

Colour:

Satin, Silver, Champion, Golden, Bronze, Black

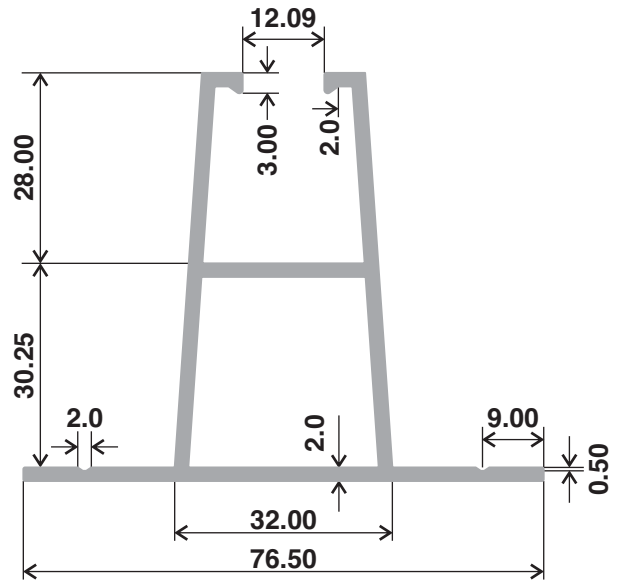
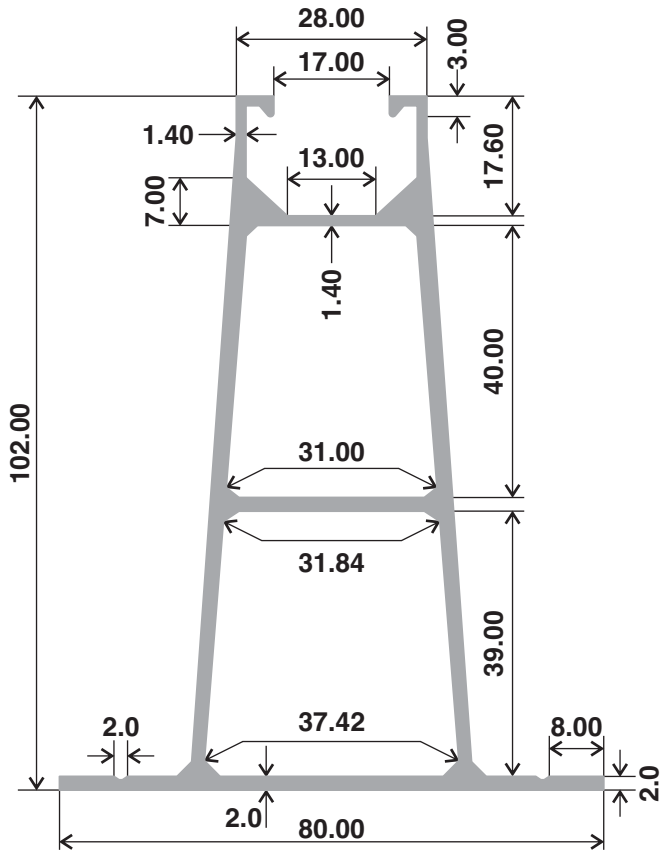
Packing

Vinitech Metal has always believed that customers should be given prime importance and all products should meet their requirements. This ideology is also practiced in the packaging process of the finished product. All products are packaged as per customer's requirements and only then dispatched.

So keep sections and their surfaces safe during transportation, we can provide interleaving with paper, polythene, stretch film, bubble sheet and cardboard as required. Wooden box and pallets can also be used when transport distances and sections sensitivity demand. Bundles are also made to facilitate manual loading/unloading.



Industrial Profile

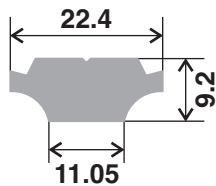


Section No.
1939

Wt. Range(kg/12')
4.350-4.650

Section No.
1936

Wt. Range(kg/12')
7.150-7.450



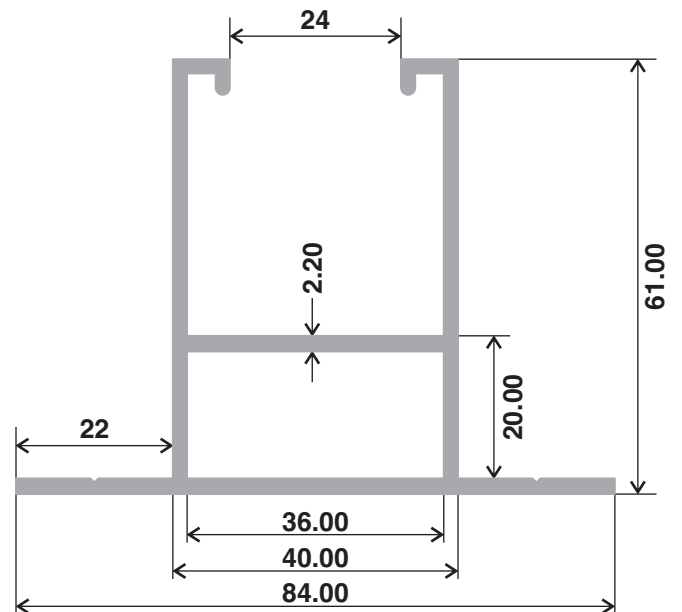
Section No.
1937

Wt. Range(kg/12')
1.450-1.650



Section No.
1938

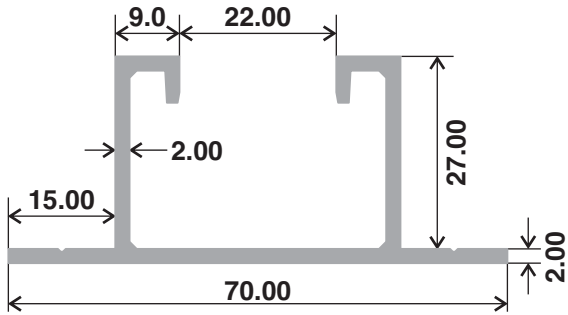
Wt. Range(kg/12')
1.350-1.450



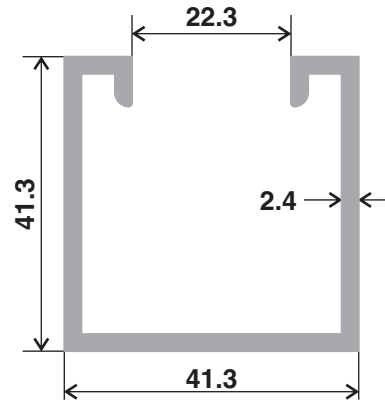
Section No.
1940

Wt. Range(kg/12')
5.350-5.650

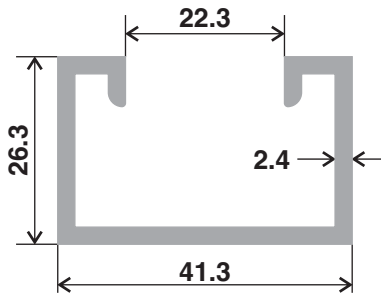
Industrial Profile



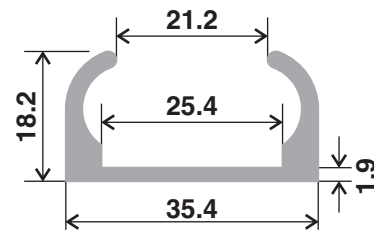
Section No. 1941	Wt. Range(kg/12') 2.850-3.200
----------------------------	---



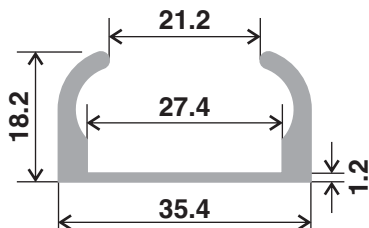
Section No. 1942	Wt. Range(kg/12') 3.300-3.650
----------------------------	---



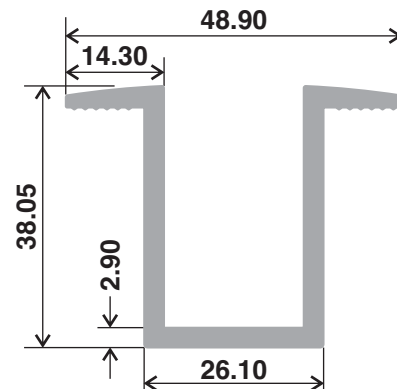
Section No. 1943	Wt. Range(kg/12') 2.650-3.100
----------------------------	---



Section No. 1944	Wt. Range(kg/12') 1.700-1.900
----------------------------	---

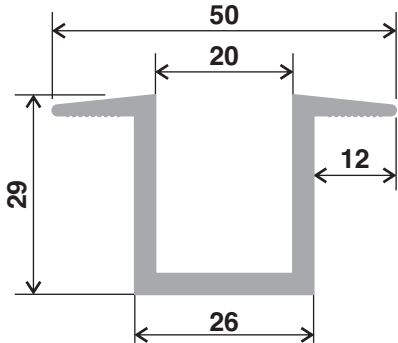


Section No. 1945	Wt. Range(kg/12') 1.450-1.650
----------------------------	---

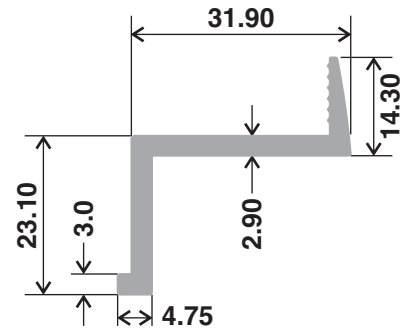


Section No. 1946	Wt. Range(kg/12') 2.850-3.150
----------------------------	---

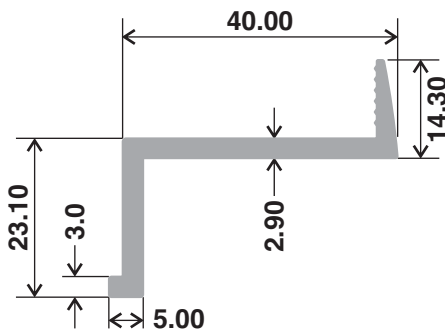
Industrial Profile



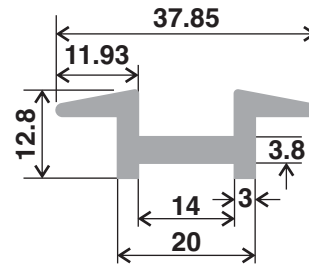
Section No. 1947	Wt. Range(kg/12') 2.650-2.950
----------------------------	---



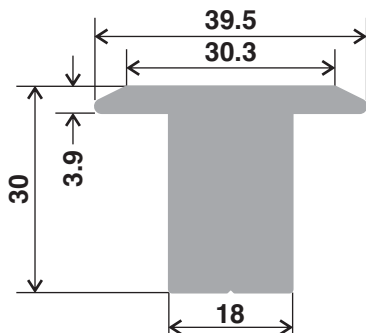
Section No. 1948	Wt. Range(kg/12') 1.850-2.100
----------------------------	---



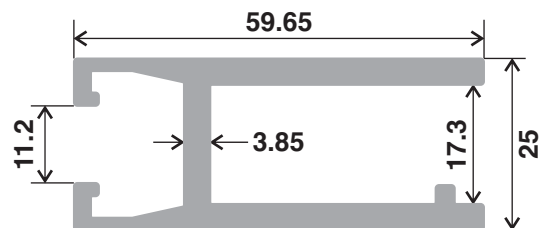
Section No. 1949	Wt. Range(kg/12') 1.900-2.200
----------------------------	---



Section No. 1950	Wt. Range(kg/12') 1.650-1.850
----------------------------	---

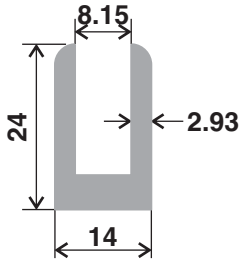


Section No. 1951	Wt. Range(kg/12') 6.100-6.350
----------------------------	---

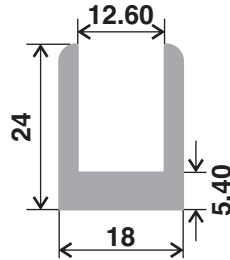


Section No. 1952	Wt. Range(kg/12') 4.800-5.200
----------------------------	---

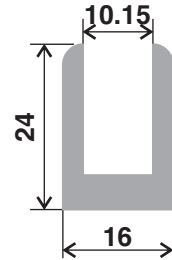
Industrial Profile



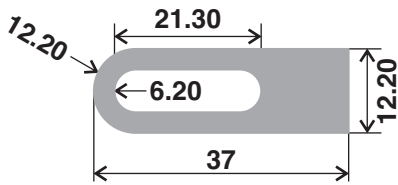
Section No. 2160	Wt. Range(kg/12') 1.700-1.850
----------------------------	---



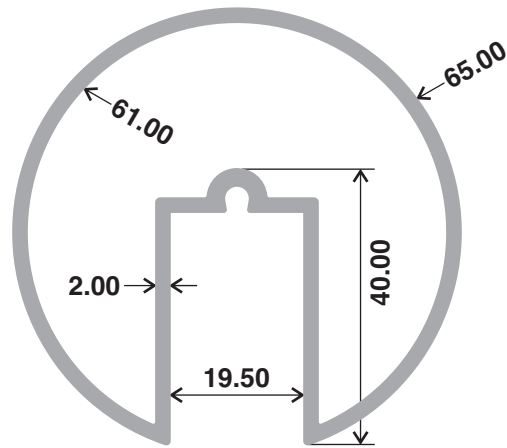
Section No. 2165	Wt. Range(kg/12') 1.900-2.100
----------------------------	---



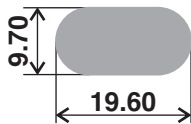
Section No. 2170	Wt. Range(kg/12') 1.850-2.000
----------------------------	---



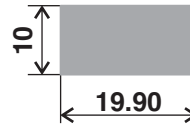
Section No. 2175	Wt. Range(kg/12') 2.900-3.100
----------------------------	---



Section No. 2180	Wt. Range(kg/12') 5.250-5.450
----------------------------	---

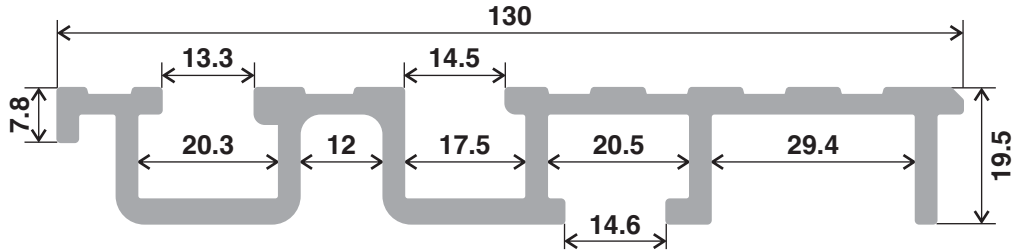


Section No. 2185	Wt. Range(kg/12') 1.650-1.850
----------------------------	---

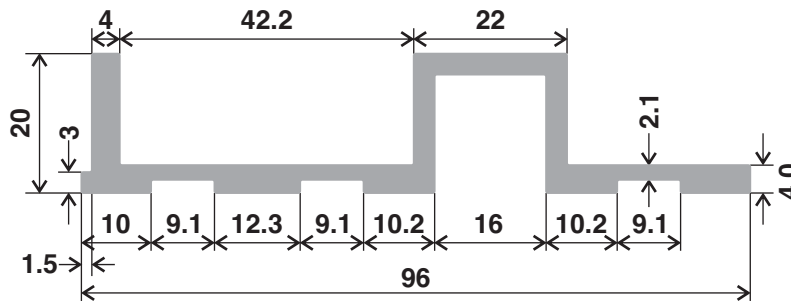


Section No. 2190	Wt. Range(kg/12') 1.900-2.100
----------------------------	---

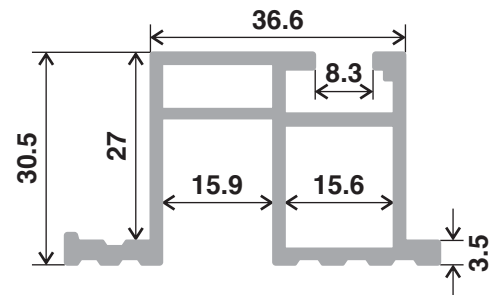
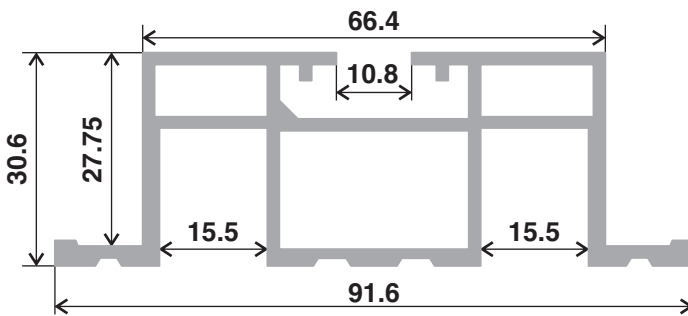
Industrial Profile



Section No. 2200	Wt. Range(kg/12') 7.600-7.950
----------------------------	---



Section No. 2205	Wt. Range(kg/12') 4.400-4.650
----------------------------	---



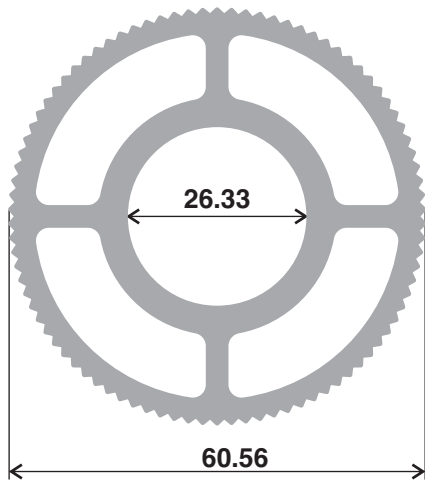
Section No. 2210	Wt. Range(kg/12') 5.200-5.650
----------------------------	---

Section No. 2215	Wt. Range(kg/12') 3.200-3.450
----------------------------	---

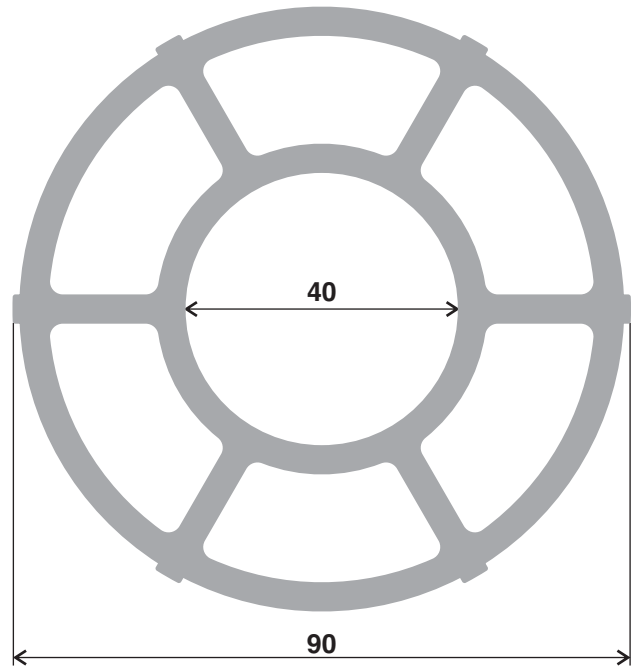


Section No. 2220	Wt. Range(kg/12') 2.450-2.700
----------------------------	---

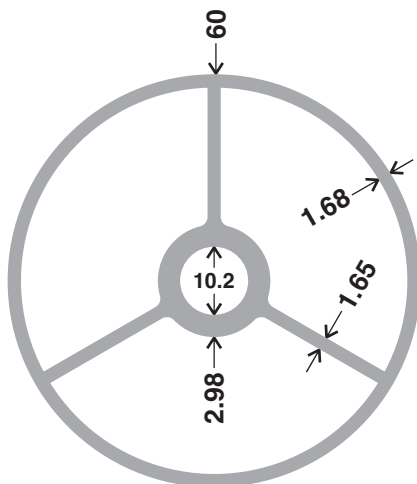
Industrial Profile



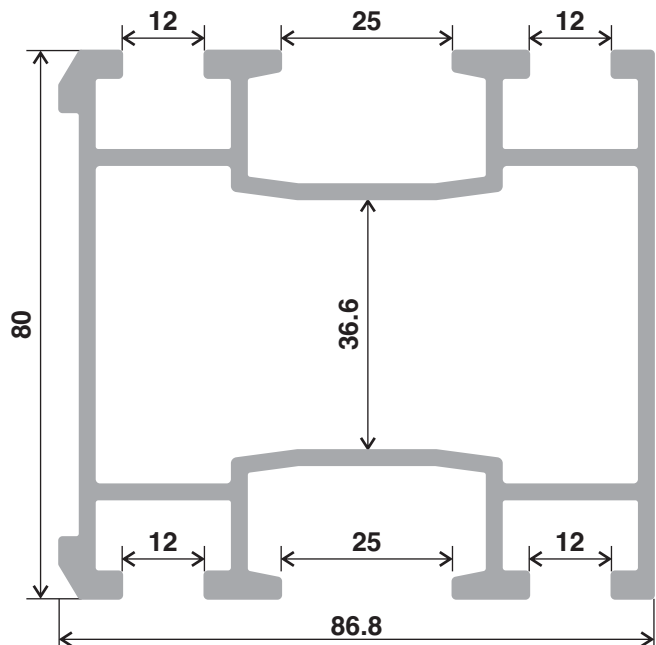
Section No. 2225	Wt. Range(kg/12') 5.800-6.250
----------------------------	---



Section No. 2230	Wt. Range(kg/12') 11.200-11.550
----------------------------	---

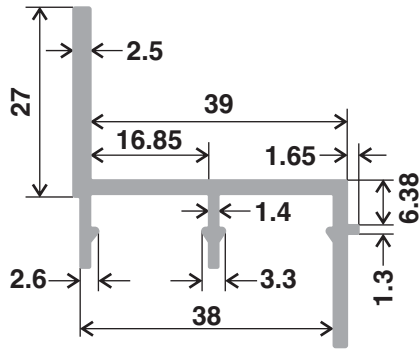


Section No. 2235	Wt. Range(kg/12') 5.100-5.450
----------------------------	---

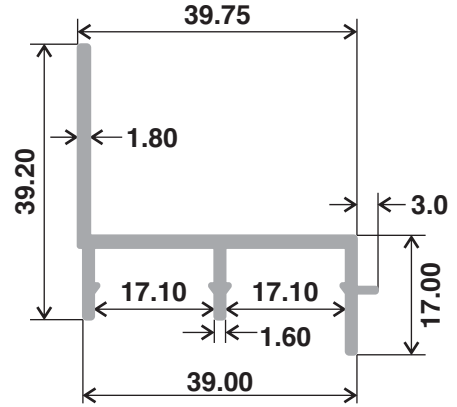


Section No. 2240	Wt. Range(kg/12') 10.650-10.950
----------------------------	---

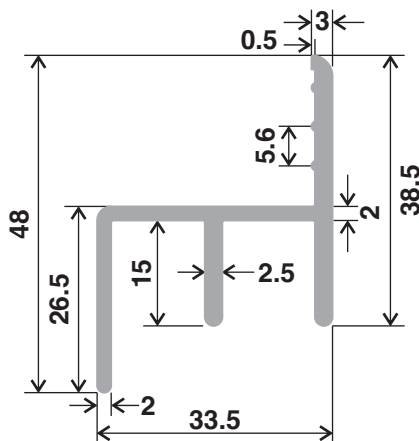
Industrial Profile



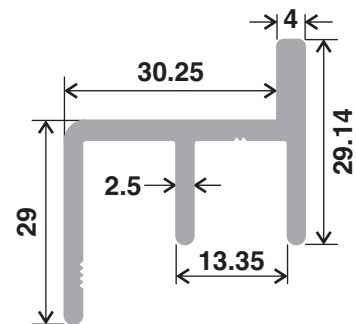
Section No. 2245	Wt. Range(kg/12') 2.150-2.300
----------------------------	---



Section No. 2250	Wt. Range(kg/12') 1.850-2.100
----------------------------	---



Section No. 2255	Wt. Range(kg/12') 2.350-2.550
----------------------------	---



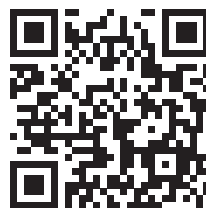
Section No. 2260	Wt. Range(kg/12') 2.350-2.650
----------------------------	---



PLANT ADDRESS:

Survey No-289,301, Chhatral-Pansar Road,
Ahmedabad-Mehsana Highway,
Village-Vadavswami, Ta-Kalol, Dist-Gandhinagar,
Gujarat, India-382729
Contact No: +91 99794 02747

info@vitechmetal.com
www.vitechmetal.com



Scan QR code for
location map