



Expect Great Things





About us

Vinitech Metal Private Limited, established in 2019 Company mainly engaged into manufacturing of Aluminum Extrusion Products like Profiles, Sections, Solids etc, having a huge market with varied industrial as well as architectural uses.

The company has set-up an Exclusive plant with Local and imported machinery & best available technology at Village: Vadavswami, Taluka: Kalol, Dist. Gandhinagar. The plant is equipped with highly technical machinery and testing equipment's like Tensile Testing Machine, Hardness Tester H R B, Hardness Tester H R C, Spectrometer, Conductivity miter with Display, hardness tester etc,

Aluminum extrusions have many excellent properties such as low weight, good electrical & thermal conductivity, strength corrosion resistance, formability, machinability, design possibilities etc., and above all, can be recycled, therefore offering high value in numerous applications.

Product Range

Standard Section

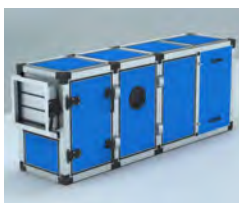
Flat bar,
hexagonal bar,
round bar,
square bar- we
have more than
100 Size

Hollow tubes
from
12.7 mm to 101 mm.
we have more than
100 size

Equal &
unequal angels.
We have more than
200 size

We also develop section to your requirements and size.

Product Applications



- Architectural & Hardware
- Air handling units, grills & diffusers
- Automotive & road transport
- Advertising
- Cryogenic
- Drawn products
- Elevators
- Heat sinks
- Luggage
- Modular racks
- Modular offices
- Pneumatic pumps & actuators
- Solar collector & frames
- Textile machines, reeds & head frames

Production Process



Quality Control

The company adheres to stringent quality norms for all the processes. The materials used by Vitech Metal are of very high quality and compatible to the latest machinery and production process.

The company's technical and commercial quality guidelines are set to high standards. A team supervises the quality assurance and control aspects along with the entire process system by identifying and associating with the quality circle. Quality control Tests are conducted regularly to maintain a uniform product quality.

Measuring Instrument

| SR No. | Instrument Name | Make | Range | Utility |
|--------|---------------------------------|---|---|---|
| 1 | Universal Testing Machines | Fine Spavy Associates & Engineers Pvt. Ltd. | 0-400 KN | To Test the Tensile strength |
| 2 | Hardness Tester H R B | Fine Spavy Associates | 22-1411 BHM | To Test the Brinell Hardness |
| 3 | Hardness Tester H R C | Metatest Instruments Pvt.Ltd. | 0-100 HRC | To Test the Rockwell Hardness |
| 4 | Spectromiter | VAS Spectromiter | | To Test the Chemical analysis of aluminium & it's Alloy" |
| 5 | Webster | 1, USA Make 2, India Make | 0 - 20 | To Test the Hardness of thin profiles. |
| 6 | Conductivity miter with Display | Technofour | 10% TO 102% I.A.C.S | To Test Electrical Conductivity |
| 7 | Micro Miter | Insize | 0 TO 25 MICRON | To Test Coating thickness of powder Coating and Anodizing Profile |
| 8 | Vernier Miter | Insize | 0 TO 150 MM 0 TO 300 MM 0 TO 600 MM | To Test OD & ID of Profile |

Alloys Specification

Mechanical Properties

| Alloy Designation | | | Chemical composition | | | | | | Temper Condition | | Ultimate Tensile Strength kgf/mm ² (min.) | % Elongation on 50 mm Gauge (min.) |
|-------------------|--------|------|----------------------|----------------|-------------|----------------|-----------|---------------|------------------|-----|--|------------------------------------|
| Old | Indian | U.S. | Silicon (si) | Magnesium (mg) | Copper (cu) | Magnesium (Mn) | Iron (Fe) | Aluminum (Al) | Old | New | | |
| EIC | 19000 | 1100 | 0.0-0.40 | 0.0-0.0 | 0.0-0.0 | 0.0-0.0 | 0.0-0.30 | 99.00% | M | F | 6.7 | 16 |
| EIB | 19500 | 1050 | 0.0-0.25 | 0.0-0.0 | 0.0-0.0 | 0.0-0.0 | 0.0-0.25 | 99.40% | M | F | 6.6 | 16 |
| EIB | 19600 | 1060 | 0.0-0.30 | 0.0-0.0 | 0.0-0.0 | 0.0-0.0 | 0.0-0.35 | 99.60% | M | F | 6.5 | 20 |
| EIB | 19700 | 1070 | 0.0-0.20 | 0.0-0.0 | 0.0-0.0 | 0.0-0.0 | 0.0-0.20 | 99.70% | M | F | 6.4 | 24 |
| HE-15 | 24345 | 2014 | 0.5-1.20 | 0.20-0.80 | 3.80-5.00 | 0.30-1.20 | 0.0-0.60 | Remainder | WP | 8 | 32.5 | 8.5 |
| - | 52000 | 5052 | 0.0-0.60 | 1.7-2.60 | 0.0-0.10 | 0.0-0.50 | 0.00-0.60 | Remainder | WP | 10 | 38.5 | 7 |
| HE-20 | 65032 | 6061 | 0.40-0.80 | 0.80-1.20 | 0.15-0.20 | 0.00-0.15 | 0.0-0.70 | Remainder | W | T4 | 18.5 | 14.5 |
| | | | | | | | | | WP | T6 | 29.5 | 7.5 |
| HE-9 | 63400 | 6063 | 0.30-0.70 | 0.40-0.90 | 0.0-0.10 | 0.00-0.30 | 0.0-0.50 | Remainder | W | T4 | 14 | 14 |
| | | | | | | | | | P | T5 | 16 | 6.5 |
| | | | | | | | | | WP | T6 | 19 | 6.5 |
| HE-91E | 63401 | 6101 | 0.30-0.50 | 0.40-0.70 | 0.0-0.0 | 0.00-0.00 | 0.0-0.40 | Remainder | W | T4 | 14.5 | 12 |
| | | | | | | | | | WP | T6 | 20.5 | 10 |
| - | 64430 | 6351 | 0.60-1.30 | 0.40-1.20 | 0.0-0.10 | 0.40-1.00 | 0.0-0.40 | Remainder | WP | T4 | 19.5 | 14.5 |
| | | | | | | | | | WP | T6 | 33.5 | 7.5 |

Physical Properties Of Aluminium

| | | |
|---|----------------------------------|--|
| 1 | Specific Gravity | -2.70 |
| 2 | Modulus of Elasticity | -7x10 ⁵ kg/cm ² |
| 3 | Electrical Conductivity | -53 to 62% LACS |
| 4 | Thermal Conductivity (at 200 c) | -0.53 cal/sq.cm/sec./cm ^{°c} |
| 5 | Co-efficient of linear expansion | -22x10 ⁶ mm/mm/ ^{°c} |
| 6 | Electrical Resistivity (at 200c) | -2.850 micron-ohm (for EC-0) |

Value Addition

Anodizing

Anodizing is the electrochemical process provides additional protection aside from the natural oxide film. A durable, porous anodic oxide layer is formed on the surface of the aluminum. Anodized aluminum will also accept vibrant colors. We can anodize any kind of aluminum product. This Coating is desirable due to following properties:

- Increased corrosion resistance
- Increased durability / wear resistance
- Ability to be colored through dyeing
- Electrical insulation
- Excellent base or primer for secondary coating

We are the best to provide the best quality product

Glossy / melt finish

Up to 25 Microns thickness

Up to 6 meter length

Colour:

Satin, Silver, Champion, Golden, Bronze, Black

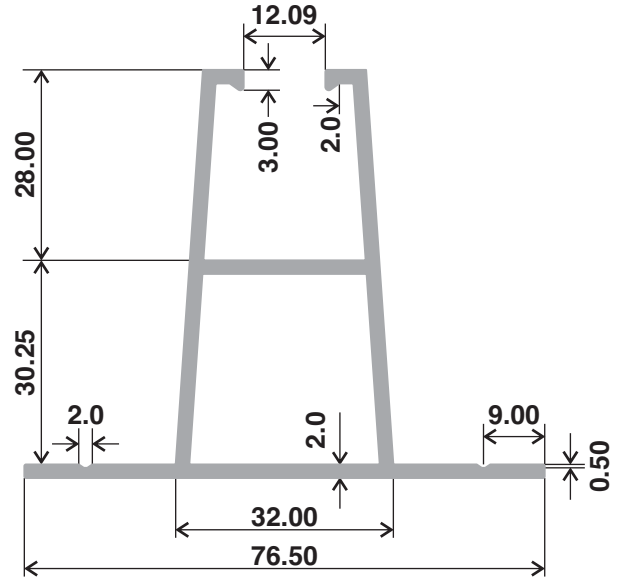
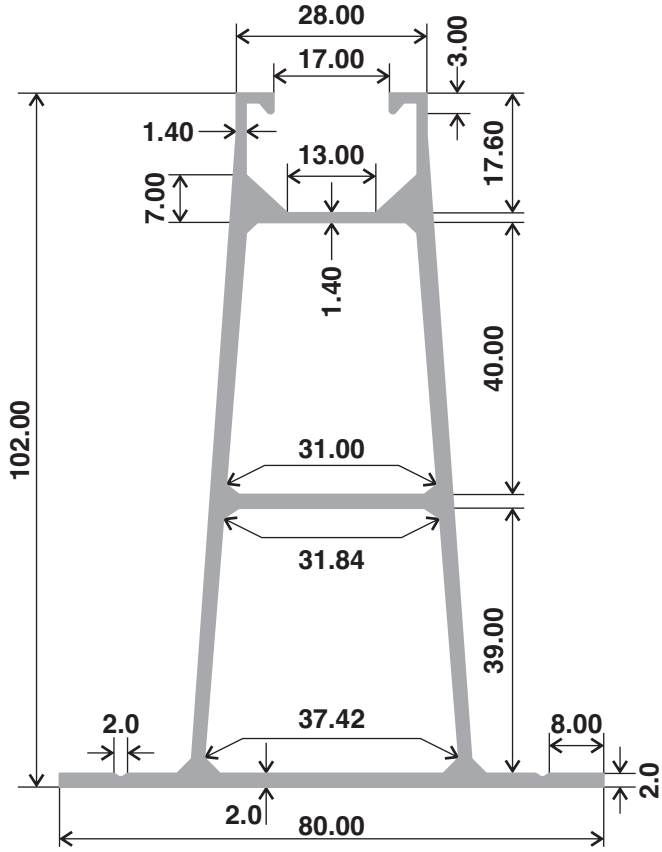
Packing

Vinitech Metal has always believed that customers should be given prime importance and all products should meet their requirements. This ideology is also practiced in the packaging process of the finished product. All products are packaged as per customer's requirements and only then dispatched.

So keep sections and their surfaces safe during transportation, we can provide interleaving with paper, polythene, stretch film, bubble sheet and cardboard as required. Wooden box and pallets can also be used when transport distances and sections sensitivity demand. Bundles are also made to facilitate manual loading/unloading.



Industrial Profile

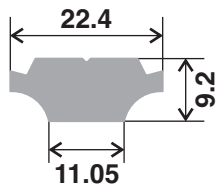


Section No.
1939

Wt. Range(kg/12')
4.350-4.650

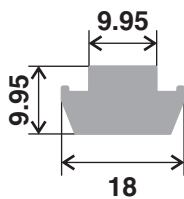
Section No.
1936

Wt. Range(kg/12')
7.150-7.450



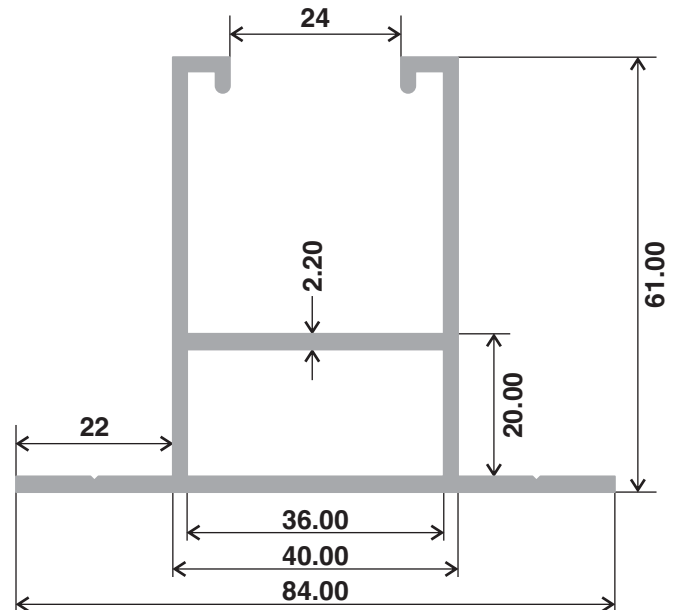
Section No.
1937

Wt. Range(kg/12')
1.450-1.650



Section No.
1938

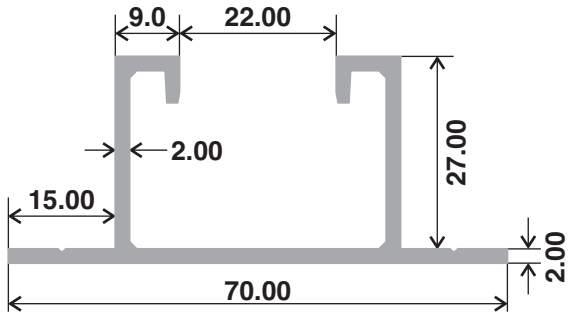
Wt. Range(kg/12')
1.350-1.450



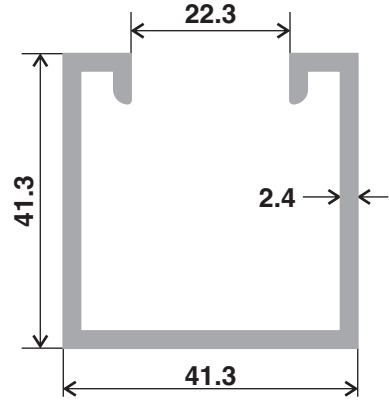
Section No.
1940

Wt. Range(kg/12')
5.350-5.650

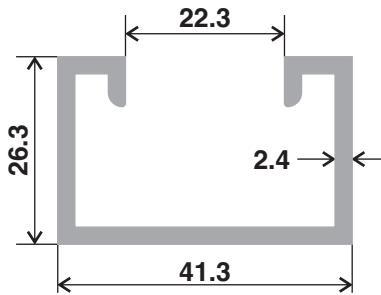
Industrial Profile



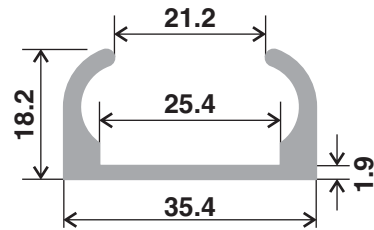
| | |
|----------------------------|---|
| Section No. 1941 | Wt. Range(kg/12') 2.850-3.200 |
|----------------------------|---|



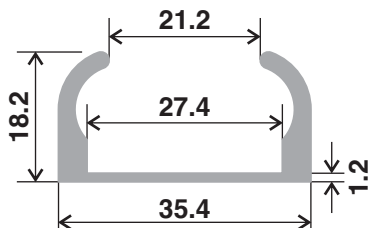
| | |
|----------------------------|---|
| Section No. 1942 | Wt. Range(kg/12') 3.300-3.650 |
|----------------------------|---|



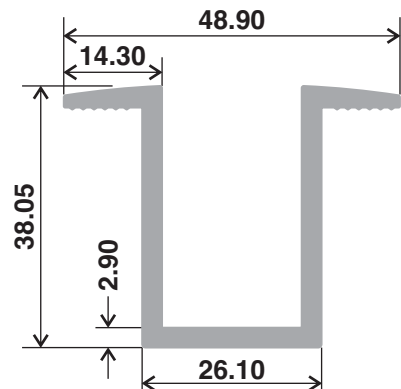
| | |
|----------------------------|---|
| Section No. 1943 | Wt. Range(kg/12') 2.650-3.100 |
|----------------------------|---|



| | |
|----------------------------|---|
| Section No. 1944 | Wt. Range(kg/12') 1.700-1.900 |
|----------------------------|---|

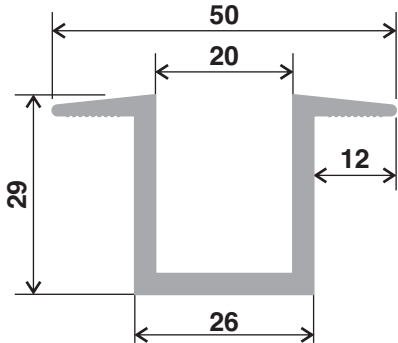


| | |
|----------------------------|---|
| Section No. 1945 | Wt. Range(kg/12') 1.450-1.650 |
|----------------------------|---|

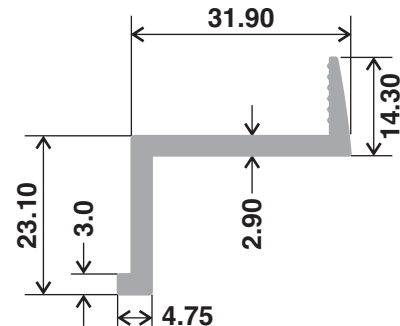


| | |
|----------------------------|---|
| Section No. 1946 | Wt. Range(kg/12') 2.850-3.150 |
|----------------------------|---|

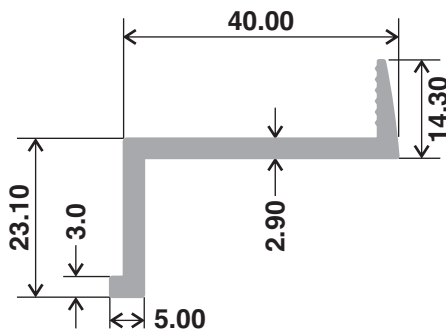
Industrial Profile



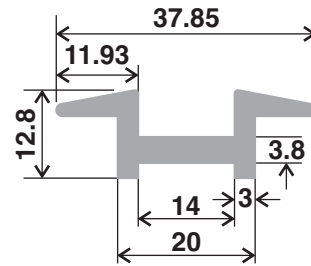
| | |
|----------------------------|---|
| Section No. 1947 | Wt. Range(kg/12') 2.650-2.950 |
|----------------------------|---|



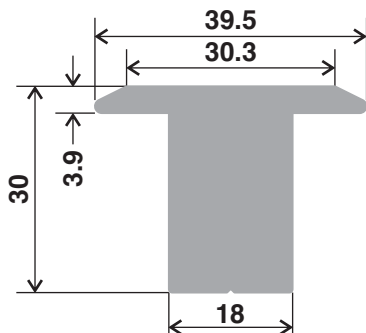
| | |
|----------------------------|---|
| Section No. 1948 | Wt. Range(kg/12') 1.850-2.100 |
|----------------------------|---|



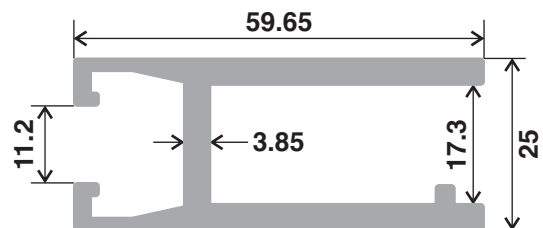
| | |
|----------------------------|---|
| Section No. 1949 | Wt. Range(kg/12') 1.900-2.200 |
|----------------------------|---|



| | |
|----------------------------|---|
| Section No. 1950 | Wt. Range(kg/12') 1.650-1.850 |
|----------------------------|---|

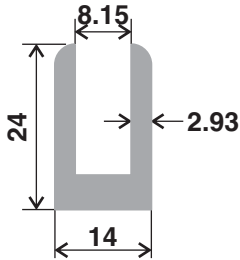


| | |
|----------------------------|---|
| Section No. 1951 | Wt. Range(kg/12') 6.100-6.350 |
|----------------------------|---|

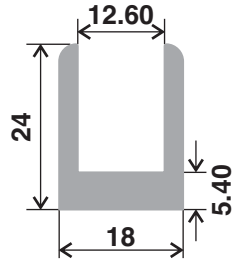


| | |
|----------------------------|---|
| Section No. 1952 | Wt. Range(kg/12') 4.800-5.200 |
|----------------------------|---|

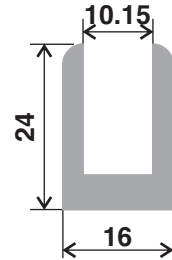
Industrial Profile



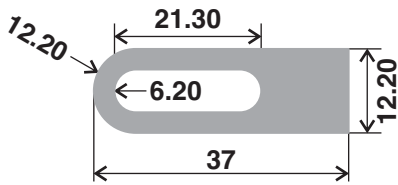
| | |
|----------------------------|---|
| Section No. 2160 | Wt. Range(kg/12') 1.700-1.850 |
|----------------------------|---|



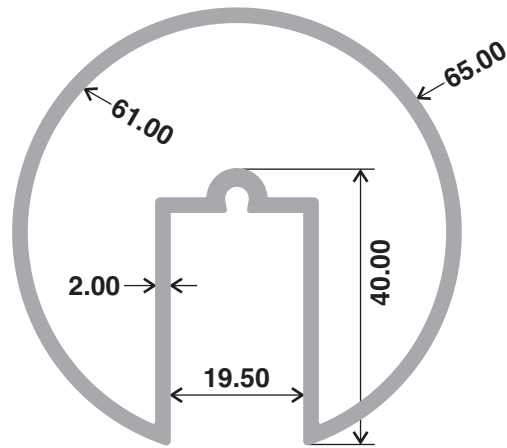
| | |
|----------------------------|---|
| Section No. 2165 | Wt. Range(kg/12') 1.900-2.100 |
|----------------------------|---|



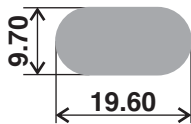
| | |
|----------------------------|---|
| Section No. 2170 | Wt. Range(kg/12') 1.850-2.000 |
|----------------------------|---|



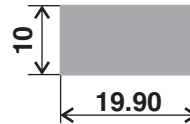
| | |
|----------------------------|---|
| Section No. 2175 | Wt. Range(kg/12') 2.900-3.100 |
|----------------------------|---|



| | |
|----------------------------|---|
| Section No. 2180 | Wt. Range(kg/12') 5.250-5.450 |
|----------------------------|---|

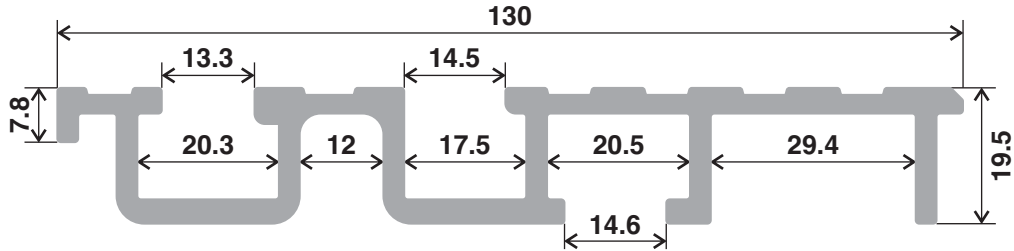


| | |
|----------------------------|---|
| Section No. 2185 | Wt. Range(kg/12') 1.650-1.850 |
|----------------------------|---|

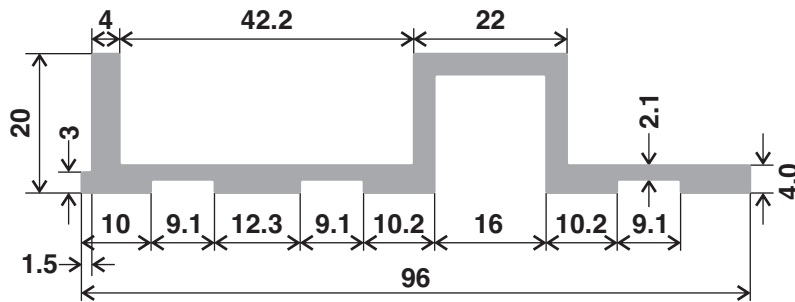


| | |
|----------------------------|---|
| Section No. 2190 | Wt. Range(kg/12') 1.900-2.100 |
|----------------------------|---|

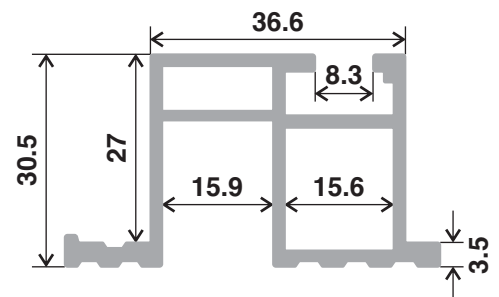
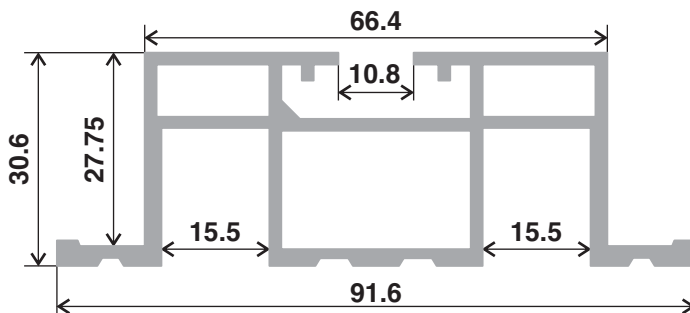
Industrial Profile



| | |
|----------------------------|---|
| Section No. 2200 | Wt. Range(kg/12') 7.600-7.950 |
|----------------------------|---|

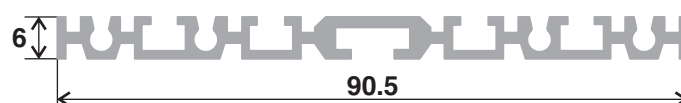


| | |
|----------------------------|---|
| Section No. 2205 | Wt. Range(kg/12') 4.400-4.650 |
|----------------------------|---|



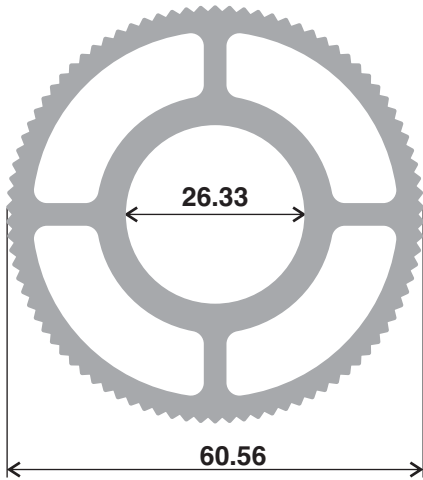
| | |
|----------------------------|---|
| Section No. 2210 | Wt. Range(kg/12') 5.200-5.650 |
|----------------------------|---|

| | |
|----------------------------|---|
| Section No. 2215 | Wt. Range(kg/12') 3.200-3.450 |
|----------------------------|---|

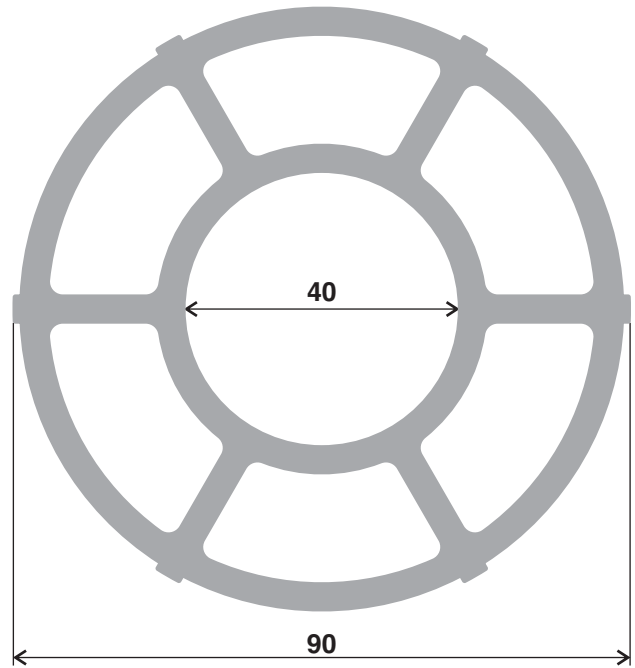


| | |
|----------------------------|---|
| Section No. 2220 | Wt. Range(kg/12') 2.450-2.700 |
|----------------------------|---|

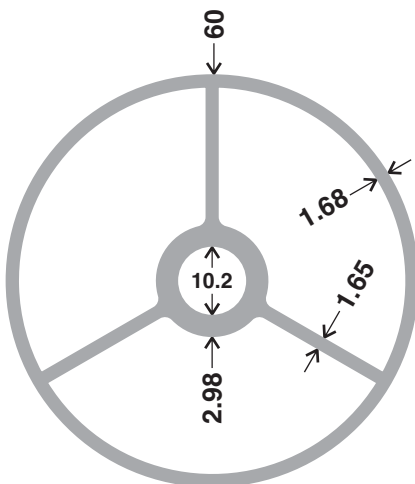
Industrial Profile



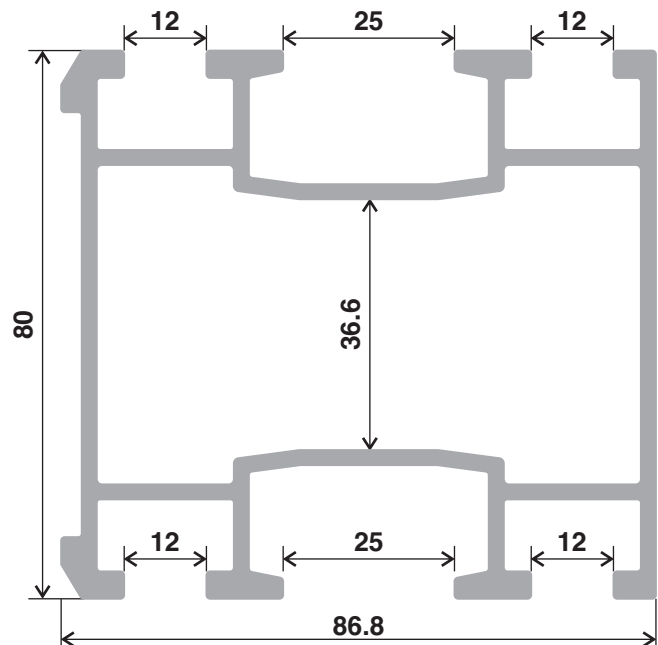
| | |
|----------------------------|---|
| Section No. 2225 | Wt. Range(kg/12') 5.800-6.250 |
|----------------------------|---|



| | |
|----------------------------|---|
| Section No. 2230 | Wt. Range(kg/12') 11.200-11.550 |
|----------------------------|---|

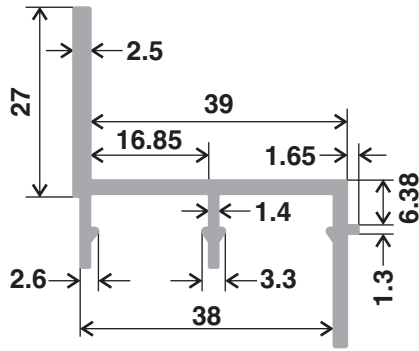


| | |
|----------------------------|---|
| Section No. 2235 | Wt. Range(kg/12') 5.100-5.450 |
|----------------------------|---|

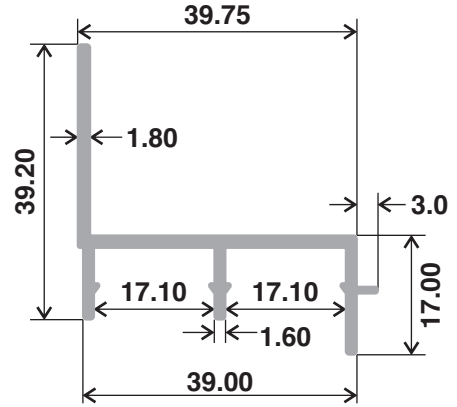


| | |
|----------------------------|---|
| Section No. 2240 | Wt. Range(kg/12') 10.650-10.950 |
|----------------------------|---|

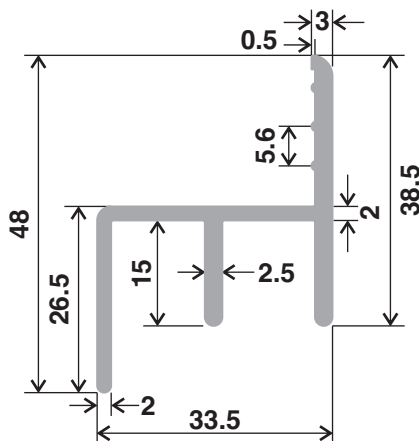
Industrial Profile



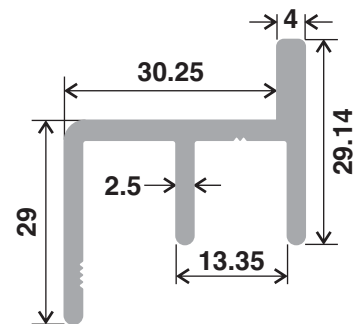
| | |
|----------------------------|---|
| Section No. 2245 | Wt. Range(kg/12') 2.150-2.300 |
|----------------------------|---|



| | |
|----------------------------|---|
| Section No. 2250 | Wt. Range(kg/12') 1.850-2.100 |
|----------------------------|---|



| | |
|----------------------------|---|
| Section No. 2255 | Wt. Range(kg/12') 2.350-2.550 |
|----------------------------|---|



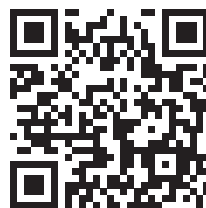
| | |
|----------------------------|---|
| Section No. 2260 | Wt. Range(kg/12') 2.350-2.650 |
|----------------------------|---|



PLANT ADDRESS:

Survey No-289,301, Chhatral-Pansar Road,
Ahmedabad-Mehsana Highway,
Village-Vadavswami, Ta-Kalol, Dist-Gandhinagar,
Gujarat, India-382729
Contact No: +91 99794 02747

info@vitechmetal.com
www.vitechmetal.com



Scan QR code for
location map